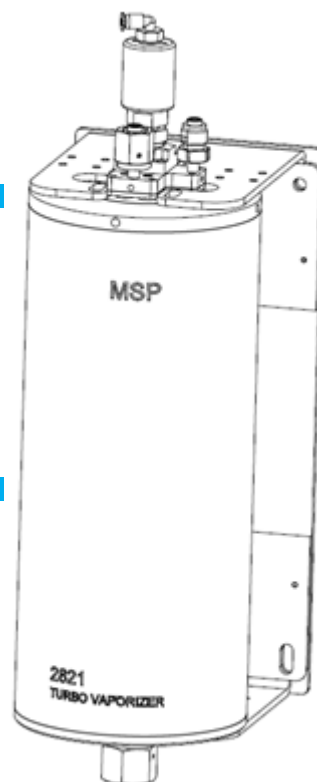


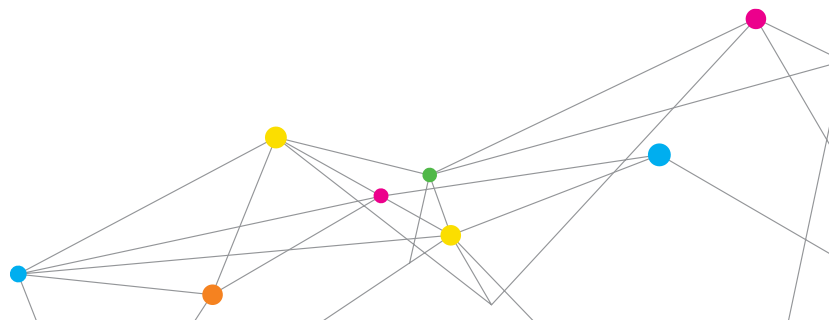
TURBO-VAPORIZER™

MODEL 2821

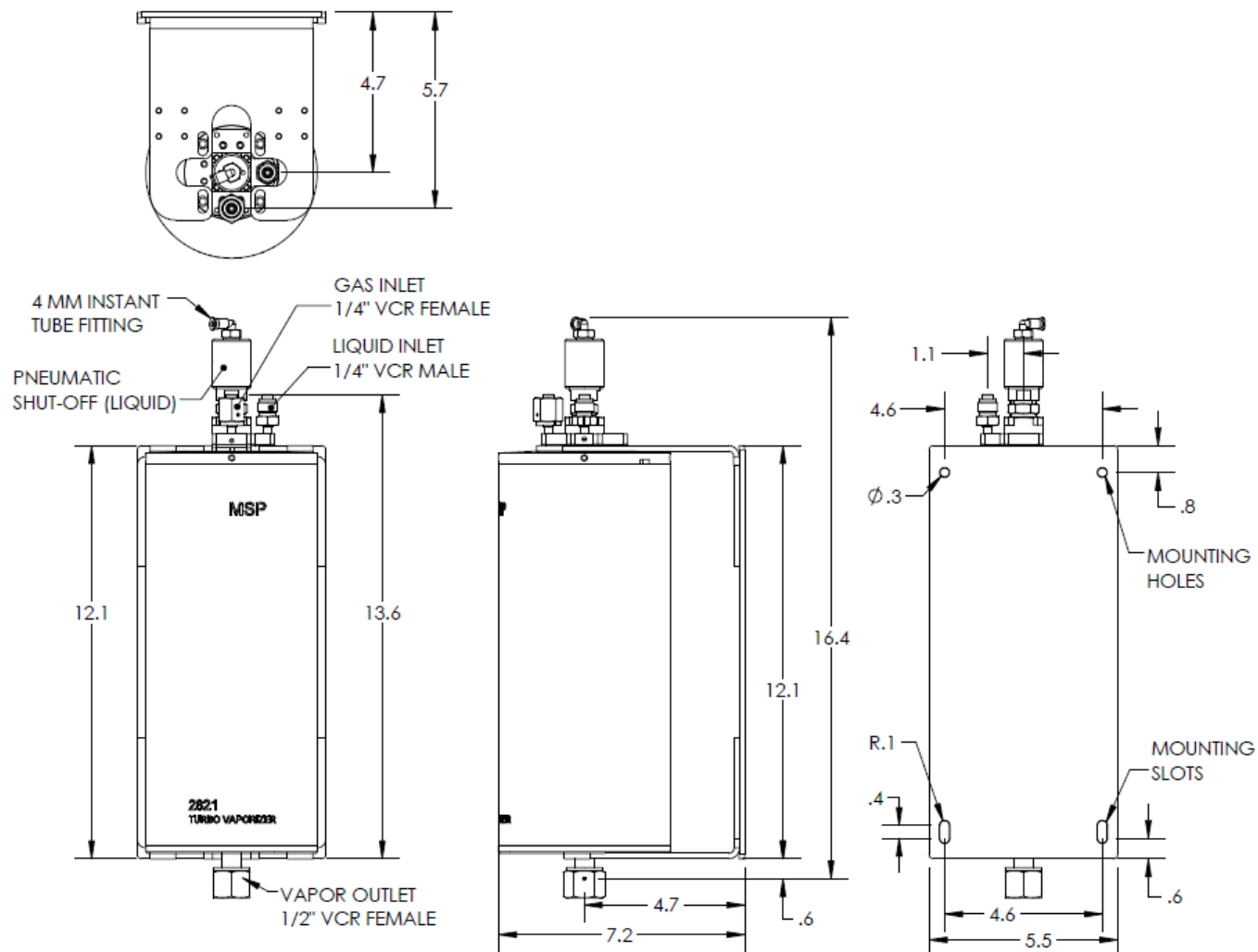
MSP's 2821 Turbo-Vaporizer provides the highest liquid flow rate of the standard MSP vaporizers. It features 3600W of heater power and can be used to deliver flow rates up to 6000g/hr (TEOS or equivalent).



Dimensions:	417 mm x 140 mm x 183 mm (16.4 inch x 5.5 inch x 7.2 inch)
Fittings (on the unit):	
Carrier Gas Inlet:	1/4 inch VCR female split nut
Liquid Inlet:	1/4 inch VCR male
Vapor Outlet:	1/2 inch VCR female
Compressed Air	4 mm instant tube fitting
Wetted Parts:	SS 316, Kalrez®, PTFE, Nickel
Leak Integrity:	$< 1 \times 10^{-9}$ scc/sec Helium
Heater Power Requirements:	220 V _{AC} , 60 Hz, 3600W
Carrier Gas:	Inert gas recommended
Max Carrier Gas Flow:	50 standard liters/min N ₂ (0 - 80 psig inlet pressure)
Max Liquid Flow Rate:	6,000 g/hr. (TEOS or equivalent) 600 g/hr. (H ₂ O or equivalent)
System Pressure Limit:	120 psig
Compressed Air:	90 to 110 psig
Temperature Range:	40° C to 200° C
Temperature sensor:	2 type K thermocouples
Vaporizer Body:	Vacuum tight chamber with multi-stage heat exchanger, SS 316 construction



TURBO-VAPORIZER MODEL 2821



All specifications are subject to change without notification.

Turbo-Vaporizer is a trademark, and MSP, the MSP logo and TSI are registered trademarks of TSI Incorporated.



MSP - Visit our website www.mspcorp.com for more information.

5910 Rice Creek Parkway, Suite 300
Shoreview, Minnesota
55126, U.S.A.
Tel: 651.287.8100