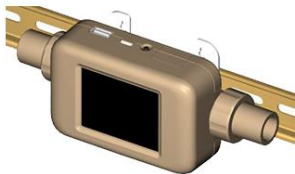


Mounting Options 5000 Series



Quick Start Guide

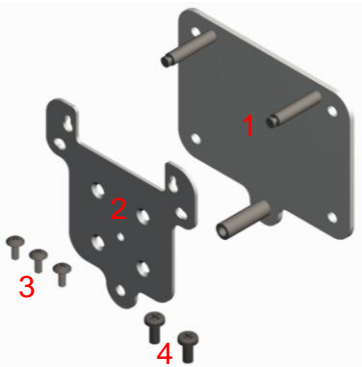
P/N 6011693, Rev. C
May 2023



5000 Series Wall Mounting Kit (5000-WMK)

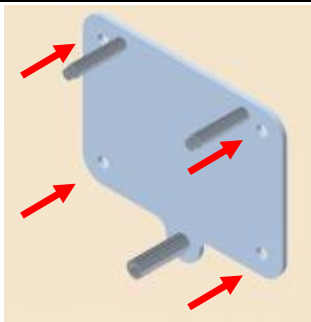
Components

Item	TSI® Part #	Description	Qty.
1	5000-WMBP	Wall Mounting Back Plate	1
2	5000-WMMP	Wall Mounting Meter Plate	3
3	N/A	M3 Stainless Screws	3
4	N/A	#8 Stainless Screws	2

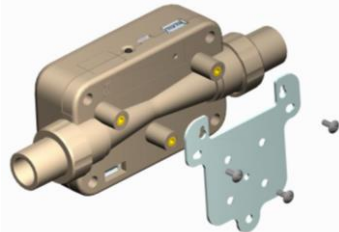


Assembly

1. Mount the Back Plate to the desired wall location (screws not supplied).

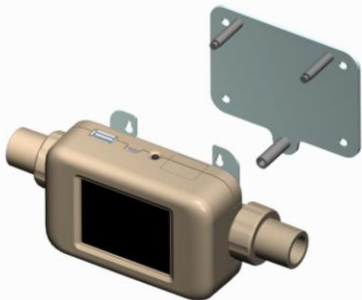


2. Attach the Meter Plate to the Meter using the three (3) supplied M3 screws.



(continued on next page)

3. Slide the top two holes of the attached Meter Plate into the wall-mounted Back Plate.



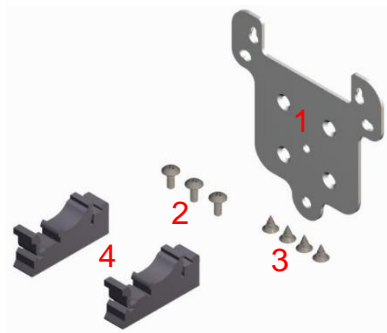
4. Use one (1) supplied #8 screw in the bottom front-facing screw hole to secure the instrument.



Wall Mounting DIN Rail Kit (5000-WMDRK)

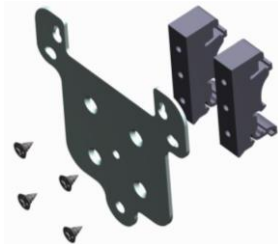
Components

Item	TSI® Part #	Description	Qty.
1	5000-WMMP	Wall Mounting Meter Plate	1
2	N/A	M3 Stainless Screws	3
3	N/A	#6 Stainless Screws	4
4	5000-WMDRC	DIN Rail Adapter	2

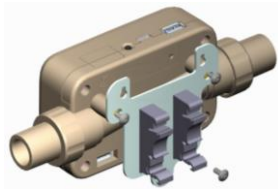


Assembly

1. Attach the two (2) DIN Rail Adapters to the Wall Mount Meter Plate using the four (4) supplied #6 Stainless Screws.



2. Attach the Wall Mount Meter Plate to the Meter using the three (3) supplied M3 screws.



3. Attach the mounted Wall Mount Meter Plate to the DIN Rail.



5000 Series Tabletop Stand (5000-TTS)

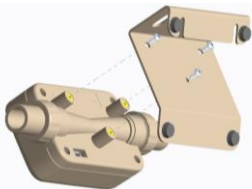
Components

Item	Description	Qty.
1	Tabletop Stand	1
2	M3 Stainless Screws	3



Assembly

1. Attach tabletop stand to meter using the three (3) supplied M3 screws.



(continued on next page)

2. Secure to workbench or wall by inserting screws (not supplied) through screw holes.



TSI and TSI logo are registered trademarks of TSI Incorporated in the United States and may be protected under other country's trademark registrations.



Knowledge Beyond Measure.

TSI Incorporated – Visit our website www.tsi.com for more information.

USA Tel: +1 800 680-1220
UK Tel: +44 149 4 459200
France Tel: +33 1 41 19 21 99
Germany Tel: +49 241 523030

India Tel: +91 80 67877200
China Tel: +86 10 8219 7688
Singapore Tel: +65 6595 6388

P/N 6011693 Rev C ©2023 TSI Incorporated Printed in U.S.A.

