

Pressure Transducer

Model 804138



Installation Instructions

These installation instructions cover installing the pressure transducer option to any TSI® Static Pressure Controller.

NOTICE	
See the appropriate Installation Instructions to install and wire the controller.	

Component List

Part Number	Qty	Description
804138	1	Pressure transducer
3001254	20 ft	1/4-in. pneumatic tubing

Pressure Transducer Installation

- 1) Install the static pressure tap in the ductwork according to the instructions for the static pressure tap.
- 2) Verify that the jumpers on the pressure transducer are installed correctly, per Figure 1. The default pressure transducer output range is 0 to 5.0 in. H₂O.
- 3) Mount the pressure transducer within 10 feet of the flow station. The transducer must be mounted on a wall in the correct position per Figure 2 (screws not provided).

WARNING

DO NOT mount pressure transducer to ceiling, duct work or vibrating surfaces. Preferred mounting location is on the wall nearest the pressure tap.

- 4) Run 1/4 in. pneumatic line (20 ft included) between static pressure tap and pressure transducer and connect.

Duct Pressure	Pressure Transducer
Positive	to Hi
Negative	to Lo

Double check that the pneumatic tubing is correctly plumbed, firmly seated, and has a tight fit.

- 5) Refer to the wiring diagram for proper transducer wiring (Figure 3). The cable is terminated at the pressure transducer and at the TSI® controller or monitor.

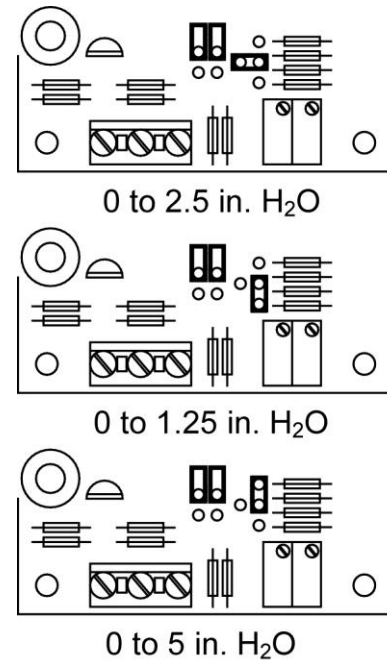


Figure 1: Pressure Transducer Jumpers

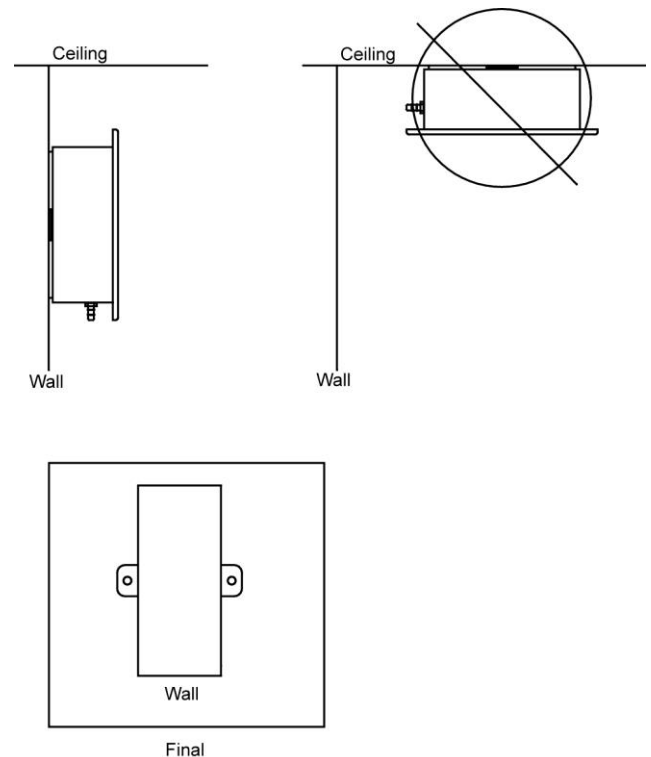


Figure 2: Pressure Transducer Mounting

Wiring the Pressure Transducer

WARNING

DO NOT connect more than 24 VAC to any terminal.

DO NOT apply voltage to the RS-485 output, analog output, or control output of the TSI® device. Severe damage may occur if voltage is applied.

WARNING

Each damper/actuator and pressure transducer has a separate transformer that must be installed. **DO NOT** wire more than one device per transformer.

Wire the transducer to the **PRESSURE INPUT** terminals on the TSI® controller, per Figure 3. Refer to the Installation Instructions for the TSI® controller to determine the correct terminals.

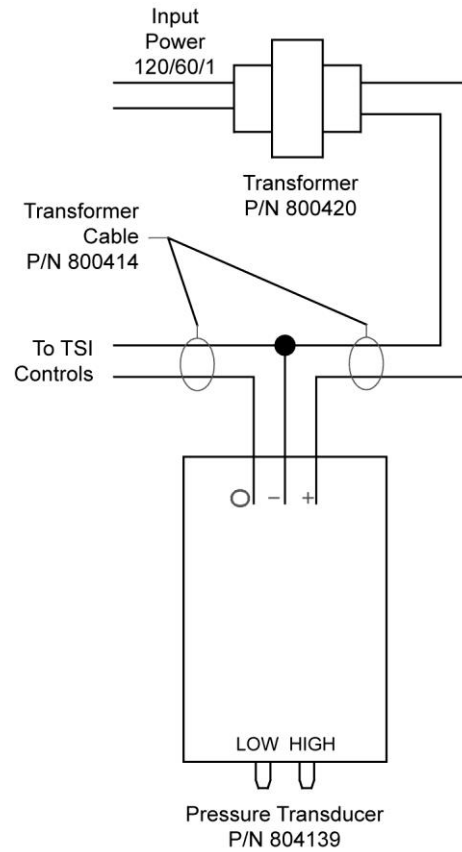


Figure 3: Transducer Wiring

This concludes the installation of the pressure transducer. If you need assistance on installing the controller, see the appropriate Installation Instructions. If you need further assistance installing the system, contact your local representative or TSI® at 1-800-680-1220.

TSI and TSI logo are registered trademarks of TSI Incorporated in the United States and may be protected under other country's trademark registrations.



TSI Incorporated – Visit our website www.tsi.com for more information.

USA	Tel: +1 800 680 1220	India	Tel: +91 80 67877200
UK	Tel: +44 149 4 459200	China	Tel: +86 10 8219 7688
France	Tel: +33 1 41 19 21 99	Singapore	Tel: +65 6595 6388
Germany	Tel: +49 241 523030		

P/N 1980422 Rev. E ©2022 TSI Incorporated Printed in U.S.A.

