

PRESSURE TRANSDUCER

INSTALLATION INSTRUCTIONS

These installation instructions cover installing the pressure transducer option to any TSI Static Pressure Controller.

NOTE: See the appropriate Installation Instructions to install and wire the controller.

Component List

<u>Part Number</u>	<u>Qty</u>	<u>Description</u>
804138	1	Pressure transducer
3001254	20 ft	¼ in. pneumatic tubing



Pressure Transducer Installation

- 1) Install the static pressure tap in the ductwork according to the instructions for the static pressure tap.
- 2) Verify that the jumpers on the pressure transducer are installed correctly, per Figure 1. The default pressure transducer output range is 0 to 5.0 in. H₂O.
- 3) Mount the pressure transducer within 10 feet of the flow station. The transducer must be mounted on a wall in the correct position per Figure 2 (screws not provided).

WARNING: Do **not** mount pressure transducer to ceiling, duct work or vibrating surfaces. Preferred mounting location is on the wall nearest the pressure tap.

- 4) Run ¼ in. pneumatic line (20 ft included) between static pressure tap and pressure transducer and connect.

Duct Pressure Pressure Transducer

Positive to Hi

Negative to Lo

Double check that the pneumatic tubing is correctly plumbed, firmly seated, and has a tight fit.

- 5) Refer to the wiring diagram for proper transducer wiring (Figure 3). The cable is terminated at the pressure transducer and at the TSI controller or monitor.

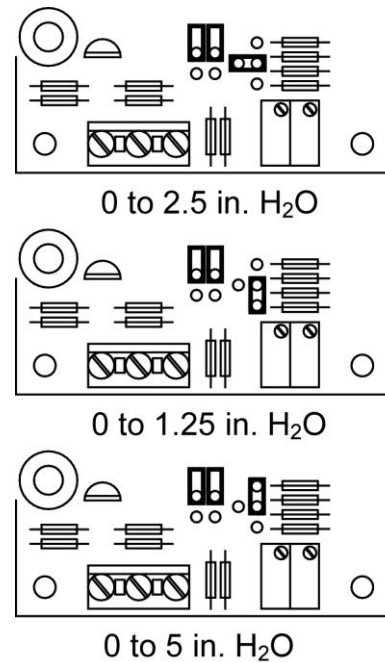


Figure 1: Pressure Transducer Jumpers

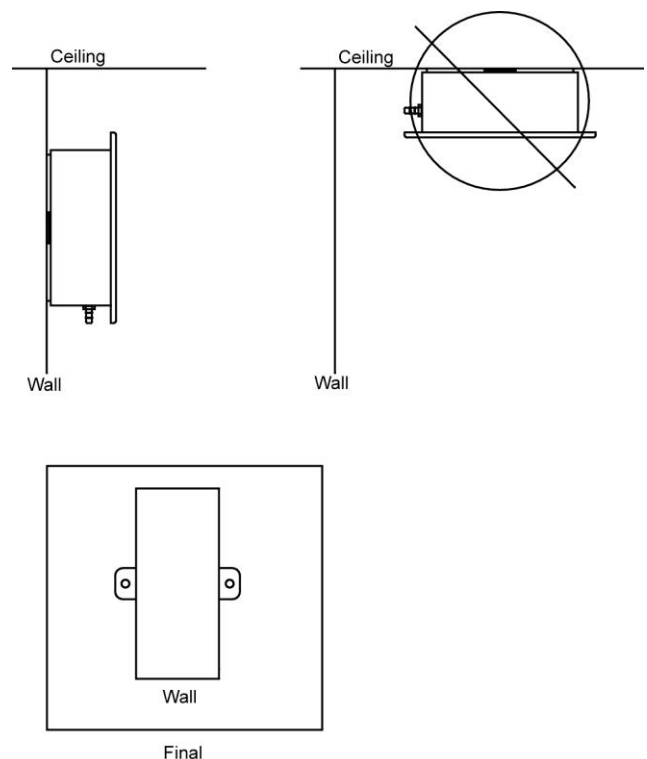


Figure 2: Pressure Transducer Mounting

Wiring the Pressure Transducer

WARNING: Do **not** connect more than 24 VAC to any terminal.

Do **not** apply voltage to the RS-485 output, analog output, or control output of the TSI device. Severe damage may occur if voltage is applied.

WARNING: Each damper/actuator and pressure transducer has a separate transformer that must be installed. Do **not** wire more than one device per transformer.

Wire the transducer to the PRESSURE INPUT terminals on the TSI controller, per Figure 3. Refer to the Installation Instructions for the TSI controller to determine the correct terminals.

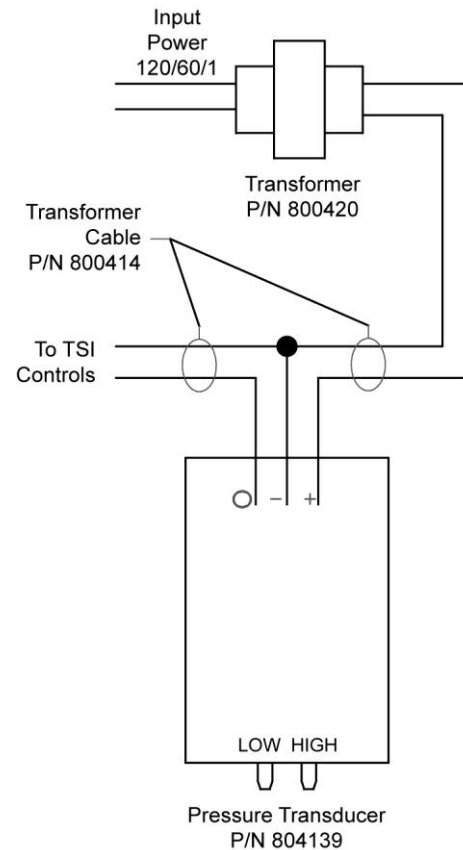


Figure 3: Transducer Wiring

This concludes the installation of the pressure transducer. If you need assistance on installing the controller, see the appropriate Installation Instructions. If you need further assistance installing the system, contact your local representative or TSI at 1-800-874-2811.



UNDERSTANDING, ACCELERATED

TSI Incorporated – Visit our website www.tsi.com for more information.

USA	Tel: +1 800 874 2811	India	Tel: +91 80 67877200
UK	Tel: +44 149 4 459200	China	Tel: +86 10 8251 6588
France	Tel: +33 491 11 87 64	Singapore	Tel: +65 6595 6388
Germany	Tel: +49 241 523030		