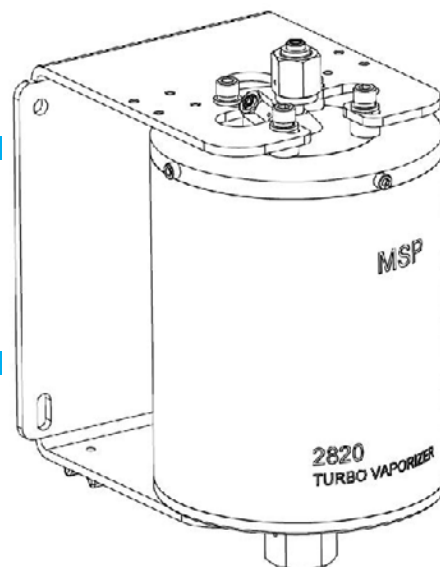


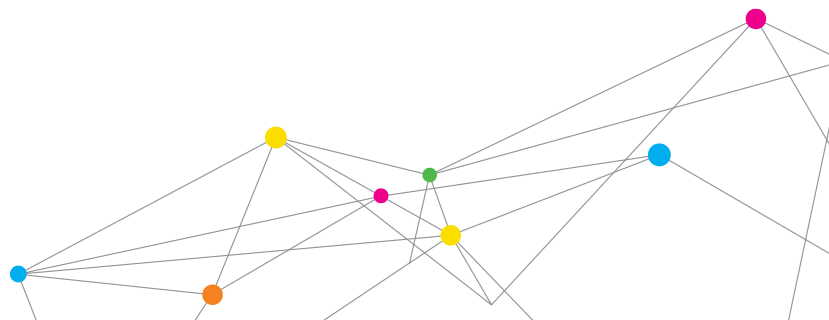
TURBO-VAPORIZER™ MODEL 2820

MSP's 2820 Turbo-Vaporizer is an excellent choice for easy-to-vaporize precursors. It features wide internal channels to minimize clogging.



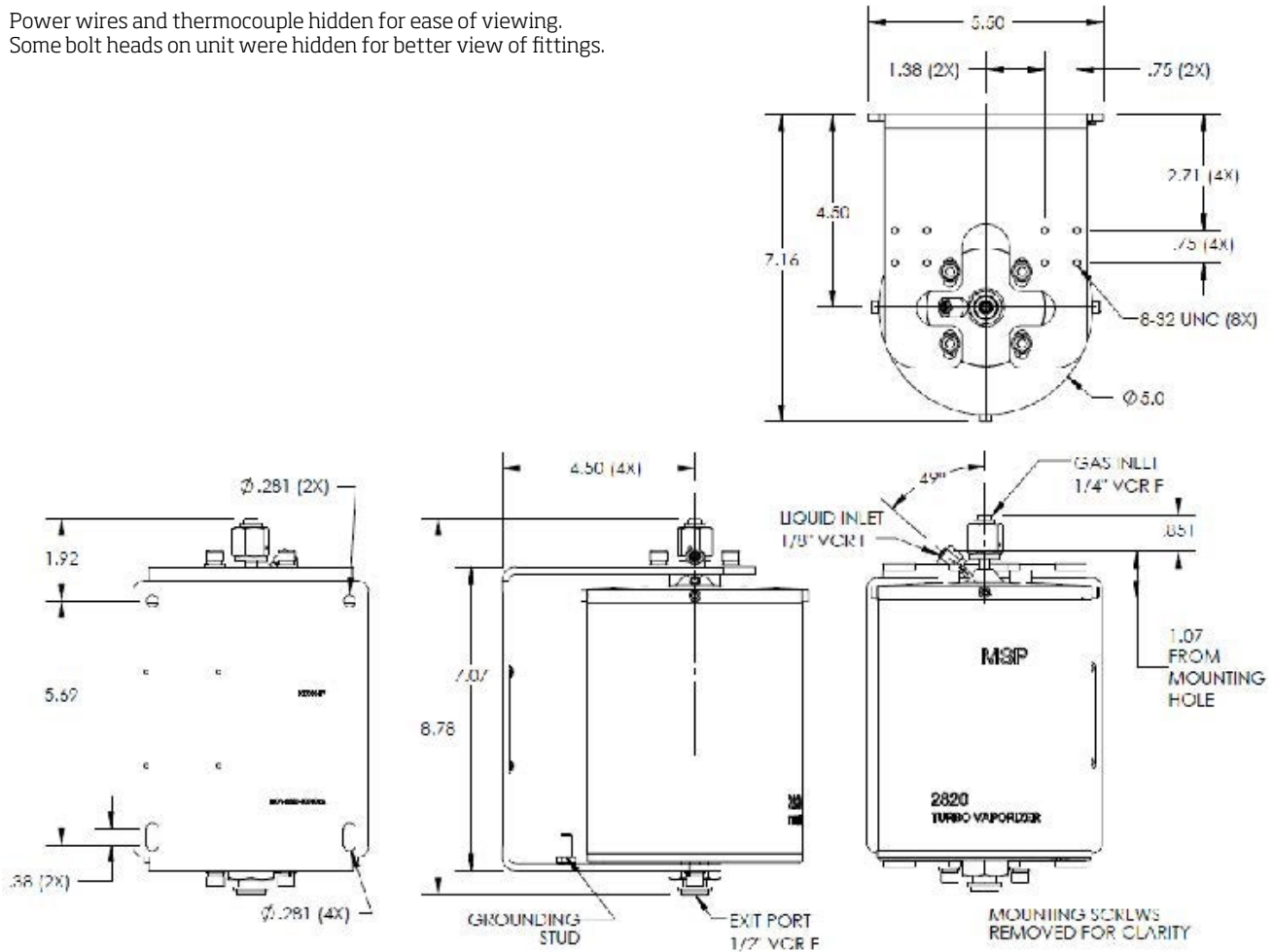
Dimensions:	224 mm x 183 mm x 137 mm (8.8 inch x 7.2 inch x 5.5 inch)
Weight:	7.7kg (17 lb)
Fittings (on the unit):	
Carrier Gas Inlet:	1/4 inch VCR female
Liquid Inlet:	1/8 inch VCR female
Vapor Outlet:	1/4 inch VCR female
Wetted Parts:	SS 316 & Viton
Leak Integrity:	$< 1 \times 10^{-9}$ scc/sec Helium
Heater Power Requirements:	120 V _{AC} , 60 Hz, 300W
Carrier Gas:	Inert gas recommended
Max Carrier Gas Flow:	20 standard liters/min N ₂ (0 - 80 psig inlet pressure)
Max Liquid Flow:	600 g/hr. (TEOS equivalent) 60 g/hr (H ₂ O)
System Pressure Limit:	120 psig
Temperature Range:	40°C to 200°C
Vaporizer Body:	Vacuum tight chamber with multi-stage heat exchanger, SS 316 construction
Temperature Sensor:	Type K thermocouple

* All specifications subject to change without notification.



TURBO-VAPORIZER MODEL 2820

Power wires and thermocouple hidden for ease of viewing.
Some bolt heads on unit were hidden for better view of fittings.



All specifications are subject to change without notification.

Turbo-Vaporizer is a trademark, and MSP, the MSP logo and TSI are registered trademarks of TSI Incorporated.



MSP - Visit our website www.msppcorp.com for more information.

5910 Rice Creek Parkway, Suite 300
Shoreview, Minnesota
55126, U.S.A.
Tel: 651.287.8100