

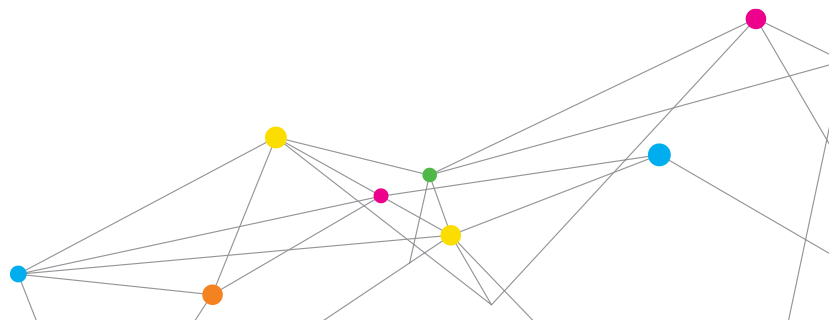
TURBO-VAPORIZER™

MODEL 2800PE

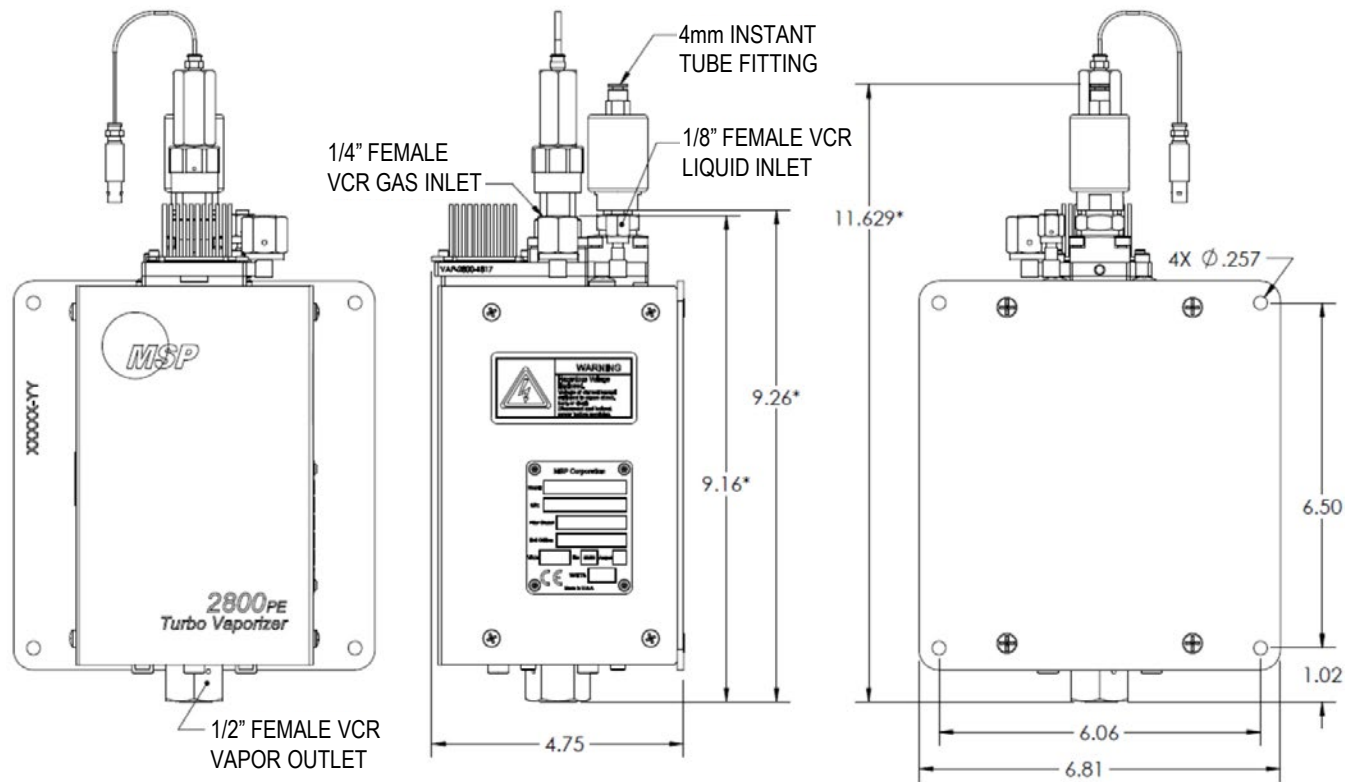
The 2800PE Turbo-Vaporizer™ is a great all around vaporizer and works well for most applications. This model has the state-of-the-art Performance Enhanced (PE) atomizer with on-board flow control and features a heat exchanger designed to be highly compatible with thermally sensitive liquids.



Dimensions:	296 mm x 173 mm x 121 mm (11.6 inch x 6.8 inch x 4.7 inch)
Weight:	7.3 kg (15.8 lb.)
Fittings (on the unit):	
Carrier Gas Inlet:	1/4 inch VCR female split nut
Liquid Inlet:	1/8 inch VCR female
Vapor Outlet:	1/2 inch VCR female
Compressed Air	4 mm instant tube fitting
Wetted Parts:	SS 316, PEEK, PCTFE, Elgiloy®, Kalrez®, PTFE
Leak Integrity:	< 1x 10 ⁻⁹ scc/sec Helium
Heater Power Requirements:	120 VAC, 60 Hz, 300W
Carrier Gas:	Inert gas recommended
Max Carrier Gas Flow:	15 standard liters/min N ₂ (0 to 80 psig inlet pressure)
Max Liquid Flow Range:	900 g/hr (TEOS equivalent) 90 g/hr (H ₂ O or equivalent)
System Pressure Limit:	120 psig
Push Gas:	0 to 80 psig
Compressed Air:	90 to 110 psig
Temperature Range:	40° C to 160° C, 160° C to 200° C with optional piezo cooling package
Temperature Sensor:	2 type K thermocouples
Vaporizer Body:	Vacuum tight chamber with multi-stage heat exchanger, SS 316 construction



TURBO-VAPORIZER MODEL 2800PE



All specifications are subject to change without notification.

Turbo-Vaporizer is a trademark, and MSP, the MSP logo and TSI are registered trademarks of TSI Incorporated.



MSP - Visit our website www.mspcorp.com for more information.

5910 Rice Creek Parkway, Suite 300
Shoreview, Minnesota
55126, U.S.A.
Tel: 651.287.8100