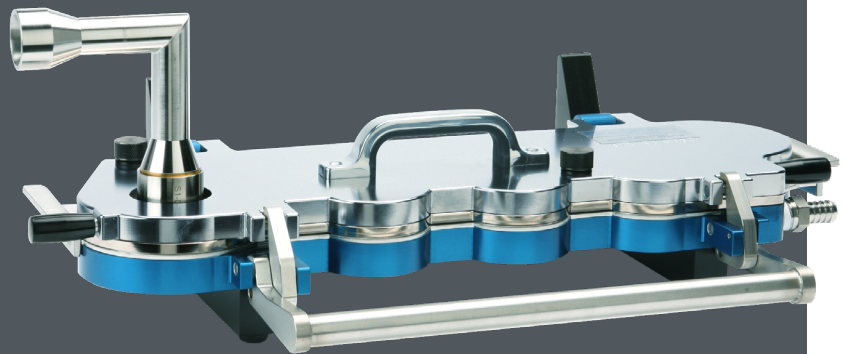




NGI & NGI+

Series 4520



The Gold Standard for Inhalation Pharmaceutical APSD Characterization

The Next Generation Impactor (NGI) is and has been the industry standard pharmaceutical cascade impactor for the last 20 years, with 1800+ units in use and adopted into the USP guidelines. It was designed and developed by and for the OINDP Industry, and is the most efficient and precise cascade impactor to conduct standard in vitro APSD testing with the widest capabilities.

The NGI+ uses the same design, but substitutes more durable materials which enable a wider range of applications, chemicals, and drugs.

NGI Features & Benefits

- Designed by the OINDP market for the OINDP market
- Written into the USP guidance
- 8-stage collection (7 stage + MOC)
- Precise cut points
- Planar arrangement with cover, cup tray and quick clamp cam
- Suite of accessories to make testing even more efficient
- Suite of accessories for additional testing (gravimetric, deep cup, exhaust cup, glass disc cup, rNGI)

NGI+ Additional Features & Benefits

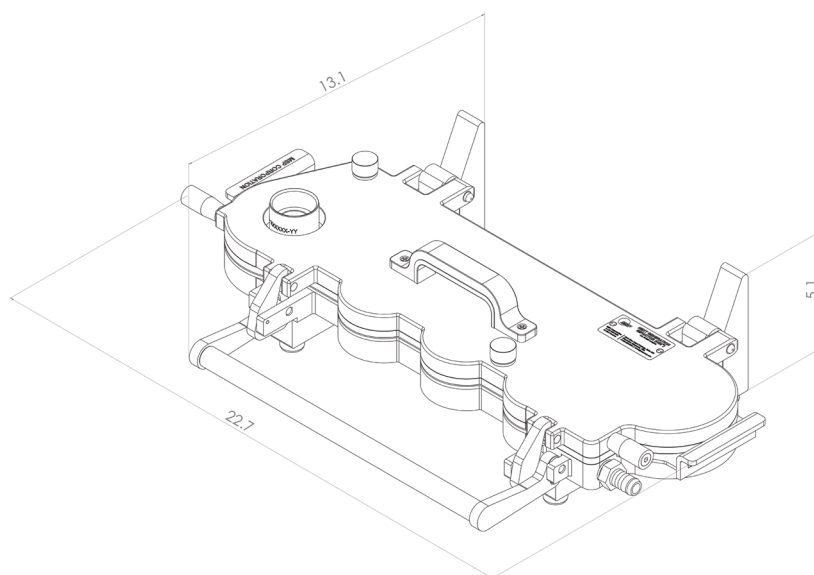
- Enhanced corrosion and chemical resistance
- Extended equipment life
- Allows for a more robust and/or automated cleaning process for cups, nozzles, and seal body
- Comprised of inert materials to maintain aerosol performance

Specifications

NGI & NGI+

	NGI	NGI+
Product Specs		
Weight (lb) [kg]	20.2 [9.2]	23.5 [10.7]
Dimensions, (W x D x H) (in) [mm]	13.1 x 22.7 x 5.1 [332.7 x 576.6 x 129.5]	
Seal body dims, (W x D x H) (in) [mm]	6.5 x 20.5 x 2.5 [165 x 520 x 65]	
Shipping		
Weight (lb) [kg]	27 [12.2]	30.3 [13.7]
Dimensions, (W x D x H) (in) [mm]	16 x 27 x 11 [405 x 685 x 280]	
Design		
# of Stages	7 plus MOC (not included: external filter, induction port, preseparator)	
Internal volume (mL)	1160	
Calibrated flow rate	15L/min – 100 L/min	
Material		
Lid	Nickel Plated Aluminum	
Seal body	Nickel Plated Aluminum	Stainless Steel
Nozzles	Stainless Steel	
Cups	Stainless Steel (2 large, 6 small)	
Bottom Frame	Aluminum	

APSD Stage Cutoff Diameter by Flow Rate				
Flow rate (L/min)	15	30	60	100
S1	14.10	11.72	8.06	6.12
S2	8.61	6.40	4.46	3.42
S3	5.39	3.99	2.82	2.18
S4	3.30	2.30	1.66	1.31
S5	2.08	1.36	0.94	0.72
S6	1.36	0.83	0.55	0.40
S7	0.98	0.54	0.34	0.24



The MSP logo is a registered trademark of MSP Corporation. TSI and the TSI logo are registered trademarks of TSI Incorporated.



MSP - Visit our website www.tsi.com/msp for more information.

5910 Rice Creek Parkway, Suite 300
Shoreview, Minnesota
55126, U.S.A.
Tel: 651.287.8100