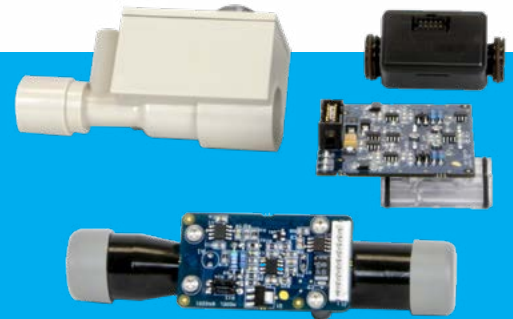


OEM FLOW SENSORS FOR EMBEDDED APPLICATIONS SERIES 840200, 840500, AND 840600

TSI, a worldwide leader in air and gas flow measurement technology, designed these affordable high-performance flow sensors to measure air, oxygen, and other gases for embedded applications. A compact size and standard configurations make it easy to design into your products. You save engineering time, reduce costs and get your products to market faster.



Applications

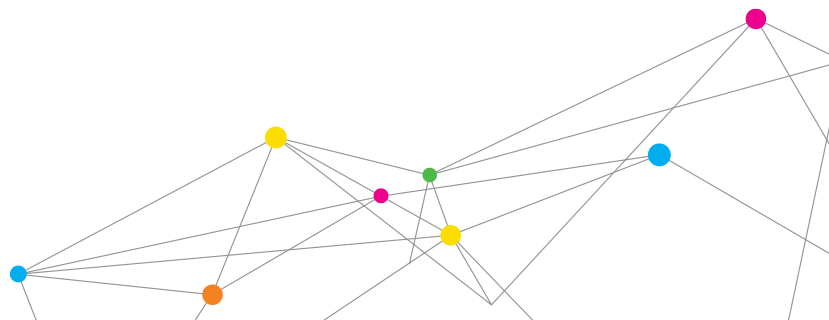
- + Patient Ventilators
 - Critical and sub-acute care
 - Pediatric and neonatal
 - Portable and transport
- + Anesthesia Systems
 - Fresh gas delivery
 - Ventilator system
- + Medical Equipment
 - Nitric oxide delivery
 - Oxygen generation
 - Other gas flow systems

Features and Benefits

- + Fully calibrated and ready to install
 - Calibration data stored on-board
 - No additional calibration required
- + Mass flow measurements
 - Independent of temperature and pressure
- + Fast response
 - Ideal for dynamic flow measurements
 - Improves control performance
- + Accuracy as a percent of reading
 - Assures high accuracy over a wide flow range
 - Wide dynamic operating range
- + Low pressure drop
 - Eliminates sensor effects on flow rate
 - Reduces pump/blower size and power



UNDERSTANDING, ACCELERATED



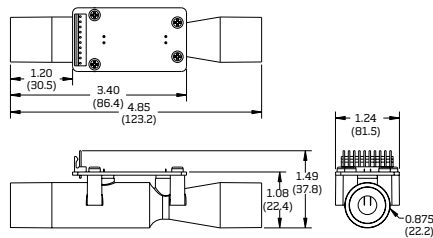
SPECIFICATIONS

OEM FLOW SENSORS FOR EMBEDDED APPLICATIONS SERIES 840200, 840500, AND 840600

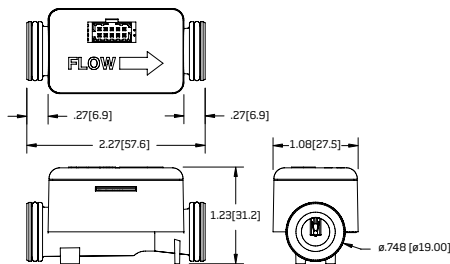


Features	TSI Series 840200	TSI Series 840500	TSI Series 840600
TSI Models (Listed by gas calibrations stored on-board)	Model 840205 Air Model 840206 Oxygen	Model 840521 Air Model 840522 Oxygen Model 840523 Air and Oxygen	Model 840621 Air Model 840622 Oxygen Model 840623 Air and Oxygen
Flow Range	0 to 300 standard l/min	0 to 300 standard l/min, Air and Oxygen	0 to 300 slpm
Accuracy*	±2.5% of reading ±0.1 l/min @ 21°C	±2% of reading ±0.05 l/min @ 21°C	±2.0% of reading or 0.05 slpm at 21°C, Air and Oxygen
Temperature Range	0 to 65 °C	0 to 50 °C	0 to 50 °C
Pressure Drop	18 cm H ₂ O at 300 l/min	12 cm H ₂ O at 300 l/min	50 cm H ₂ O at 200 L/min
Response Time	5 msec (0 to 63% of full-scale flow)	5 msec (0 to 63% of full-scale flow)	3 msec (0 to 63% of full-scale flow)
Output Signals Flow	0 to 4 vdc non-linear, 1 Channel	0 to 2.5 vdc non-linear, 2 Channels	0 to 3.3 vdc non-linear, 2 Channels
Output Signal Temperature	0 to 4.5 vdc non-linear	0 to 2.5 vdc non-linear	0 to 2.5 vdc non-linear
Input Voltage	5 vdc ±5%, Regulated	5 vdc ±5%, Regulated, 3.3 vdc eeprom	5 vdc ±10%, regulated, EEPROM (+2.7V to +5.5V)
Power Consumption	0.65 watts at full-scale flow	0.8 watts at full-scale flow	0.8 watts at full-scale flow
Mating Connector	Amp 1-640456-0	Molex 51110-1060 (Wire) or Molex 87568-1074/87568-1073 (IDC)	Molex 87832-1020 (2mm pitch, 2 row, 10 pin)
Eeprom Interface	SPI Communication	I ² C Communication	I ² C Communication
Warranty	1 year	1 year	1 year
RoHS Compliance	Meets RoHS Directive 2011/65/EU	Meets RoHS Directive 2011/65/EU	Meets RoHS Directive 2011/65/EU

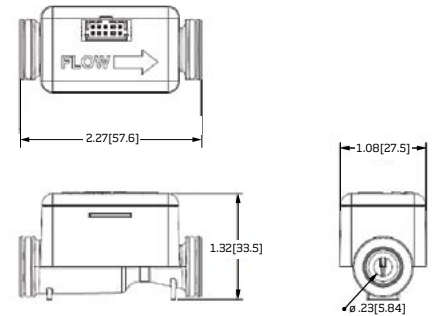
TSI Series 840200



TSI Series 840500



TSI Series 840600



Dimensions in inches (millimeters)

*Consult TSI for complete product specifications.

Specifications are subject to change without notice.

TSI and the TSI logo are registered trademarks of TSI Incorporated.



UNDERSTANDING, ACCELERATED

TSI Incorporated - Visit our website www.tsi.com for more information.

USA Tel: +1 800 874 2811
UK Tel: +44 149 4 459200
France Tel: +33 1 41 19 21 99
Germany Tel: +49 241 523030

India Tel: +91 80 67877200
China Tel: +86 10 8219 7688
Singapore Tel: +65 6595 6388