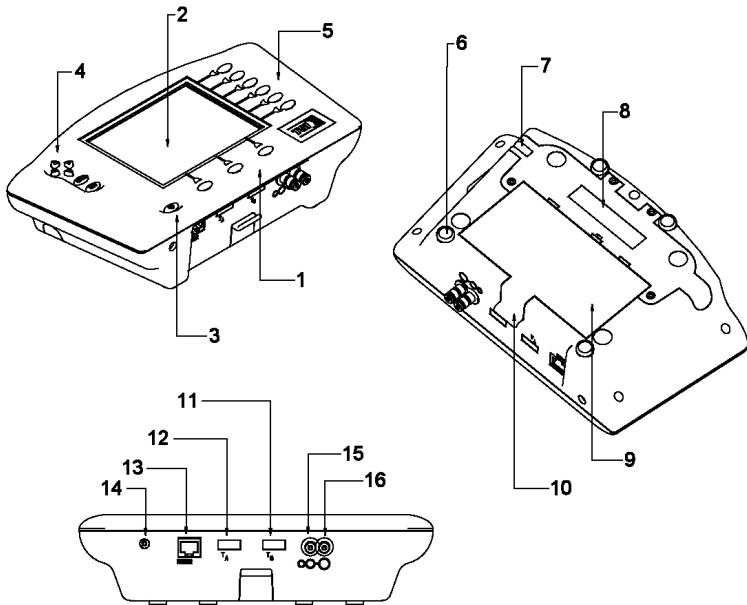


Description of Main Components

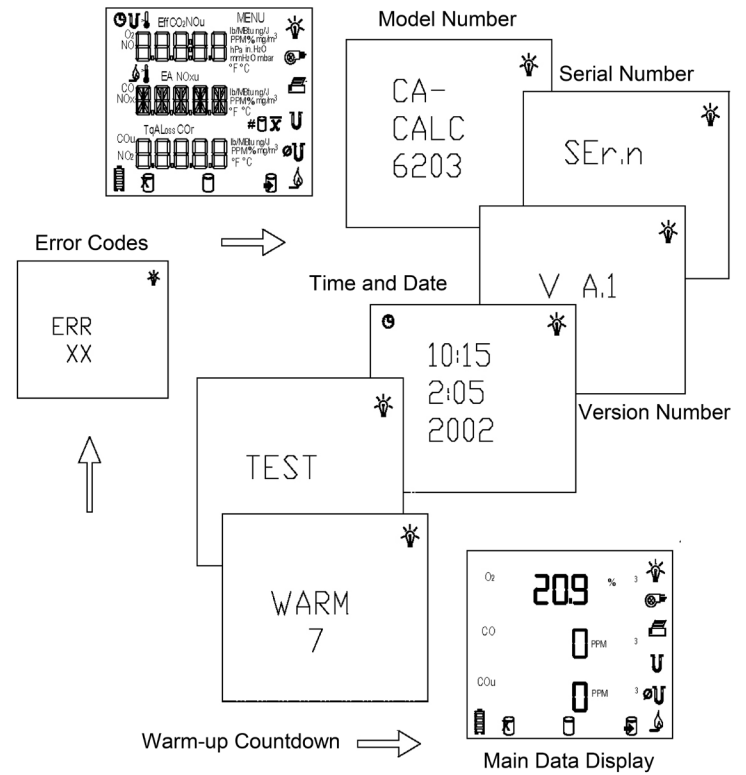


- | | |
|--------------------|---|
| 1. Data buttons | 9. Battery cover |
| 2. LCD display | 10. Battery cover tab |
| 3. On-Off button | 11. Port for <i>flue gas</i> thermocouple |
| 4. Control buttons | 12. Port for <i>supply air</i> thermocouple |
| 5. Icon buttons | 13. RS-232 serial port |
| 6. Magnets | 14. Power connection |
| 7. Vent | 15. Draft sample port |
| 8. Sensor cover | 16. Gas sample port |

CA-6203 CA-CALC™ Combustion Analyzer
800-874-2811 (U.S. only) P/N 1980548 Rev. A



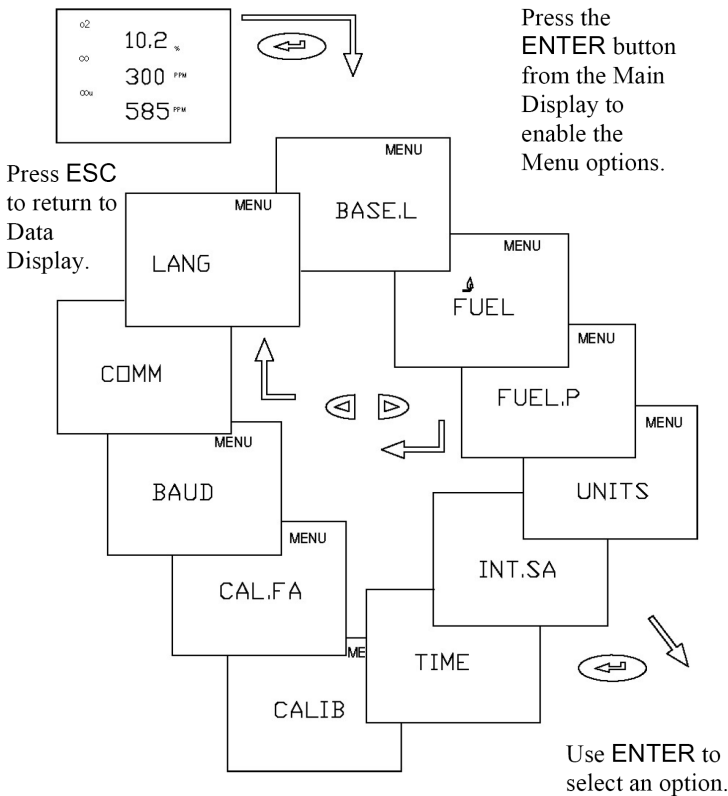
Start-up Screens



CA-6203 CA-CALC™ Combustion Analyzer
800-874-2811 (U.S. only) P/N 1980548 Rev. A



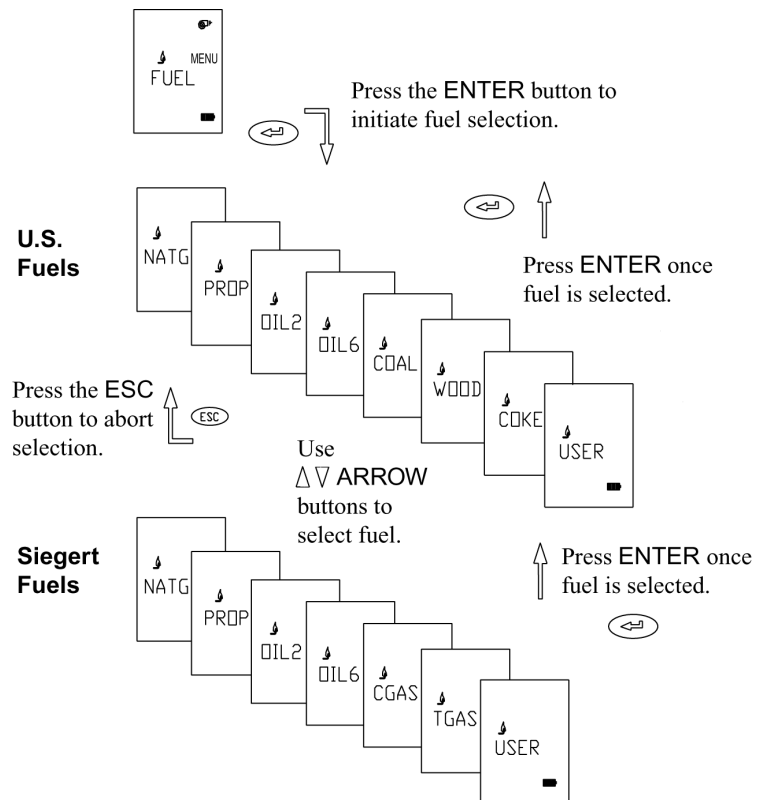
Menu Screens



CA-6203 CA-CALC™ Combustion Analyzer
800-874-2811 (U.S. only) P/N 1980548 Rev. A



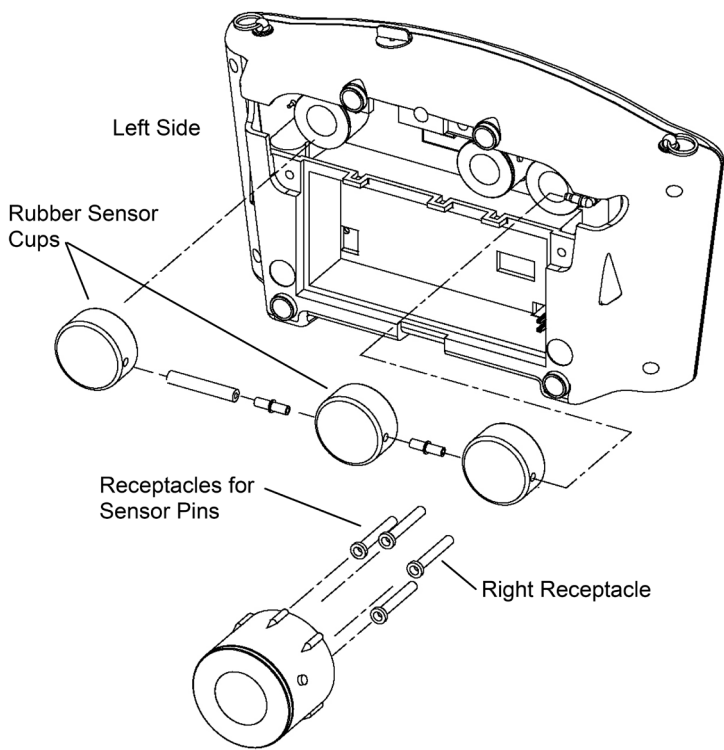
Fuel Selection Screens



CA-6203 CA-CALC™ Combustion Analyzer
800-874-2811 (U.S. only) P/N 1980548 Rev. A



New Sensor Installation

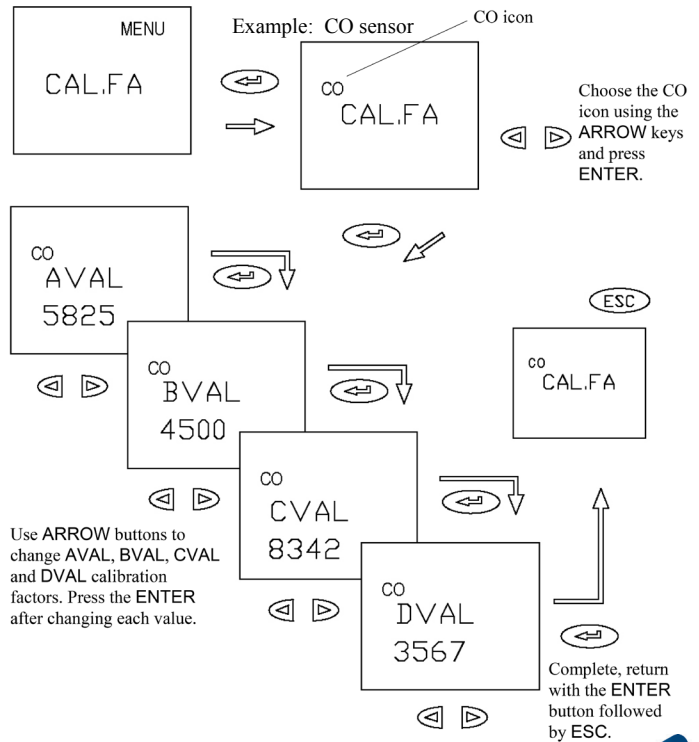


CA-6203 CA-CALC™ Combustion Analyzer
800-874-2811 (U.S. only) P/N 1980548 Rev. A



Calibration Factor Screens (used when installing new sensors)

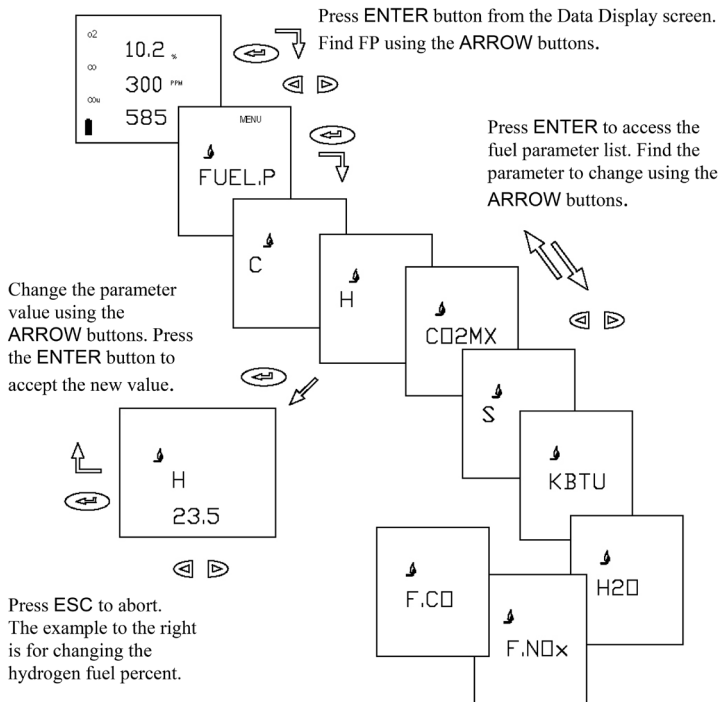
Use the ARROW buttons to find the CAL.FA MENU option.
Press the ENTER button.



CA-6203 CA-CALC™ Combustion Analyzer
800-874-2811 (U.S. only) P/N 1980548 Rev. A



Fuel Parameter Selection Screens

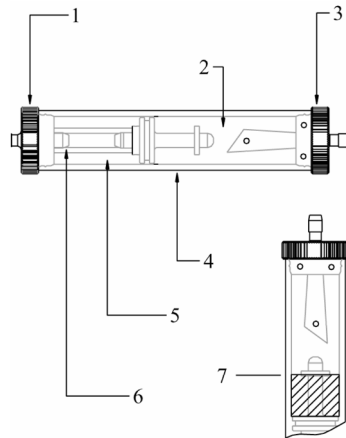


CA-6203 CA-CALC™ Combustion Analyzer
800-874-2811 (U.S. only) P/N 1980548 Rev. A



Water Trap

Important: Make sure the water trap is oriented so that end-cap 1 below is toward the instrument gas sample inlet port.



1. Instrument side end-cap
2. First chamber
3. Probe side end-cap
4. Polycarbonate trap body
5. Second chamber
6. Plastic filter
7. Maximum water level

Changing and Maintaining the Water Trap Filter

This filter is designed to remove particles before they contaminate the instrument. The filter can be removed for cleaning or replacement by following these steps:

1. Remove the instrument side end cap.
2. Grasp the filter using needle-nose pliers and pull it out.
3. To clean the filter, remove the bulk of the soot by tapping the filter followed by rinsing with water. Avoid rubbing, which may drive contaminants into the filter.
4. Install the filter by pushing it over the stub in the filter body, replace the end cap.

CA-6203 CA-CALC™ Combustion Analyzer
800-874-2811 (U.S. only) P/N 1980548 Rev. A



Attach the Probe Hose to the Instrument with the Water Trap in-line with the Gas Sample Port

The three circles below 15 and 16 in Figure 1 are in the same configuration as the probe hose shown in Figure 2. A in Figure 2 is connected to 16 in Figure 1. B in Figure 2 is inserted into Number 11 in Figure 1. The filter (E in Figure 2) in the water trap (D) must be positioned towards the connection coupler (A) as shown.

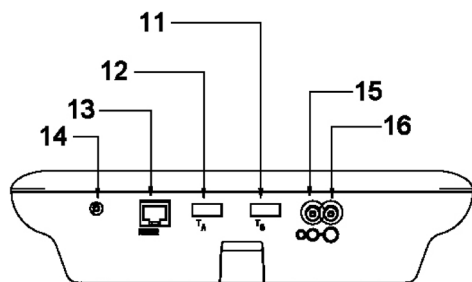


Figure 1

- 11. Port for *stack gas* thermocouple probe
- 12. Port for *combustion supply air* thermocouple
- 13. RS 232 serial port
- 14. Power connection
- 15. Draft sample port
- 16. Gas sample port

CA-6203 CA-CALC™ Combustion Analyzer
800-874-2811 (U.S. only) P/N 1980548 Rev. A



Avoiding the Formation of Condensation Moisture in the Sensor Cups

To avoid further condensation in the sensor cups, ensure the internal temperature of the instrument is at least ambient temperature. To verify this condition, cycle the instrument on, bypassing the baseline, then turn off the pump until the temperature on the display (without any external probes attached) reaches ambient temperature.

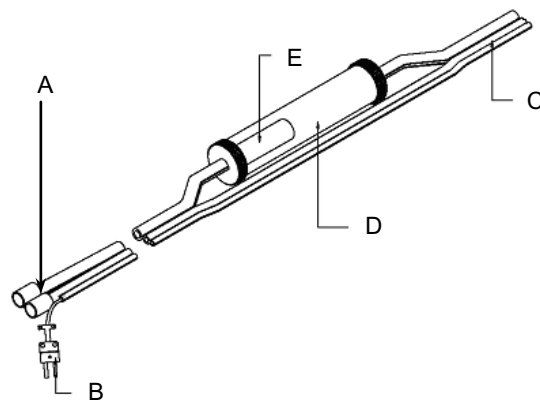


Figure 2

CA-6203 CA-CALC™ Combustion Analyzer
800-874-2811 (U.S. only) P/N 1980548 Rev. A



CA-6203 CA-CALC™ Combustion Analyzer
800-874-2811 (U.S. only) P/N 1980548 Rev. A



CA-6203 CA-CALC™ Combustion Analyzer
800-874-2811 (U.S. only) P/N 1980548 Rev. A

